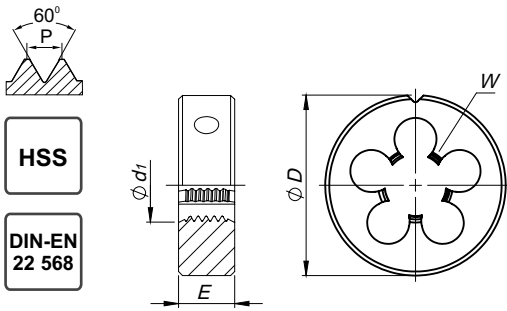


American unified fine thread UNF, ANSI B-1.1

800



Material groups



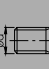
Execution

Quality of material

HSS

Chamfer

1,75P

UNF	Ød,	1"/P	P	ØD x E	W		Norm	INDEX
							Tol.	
							DIN-EN 22 568	
							2A	
							N1-121001	
No 5 - 44	3,175	44	0,577	20 x 5	3	3,10	4205	●
No 6 - 40	3,505	40	0,635	20 x 5	3	3,42	4206	●
No 8 - 36	4,166	36	0,705	20 x 7	3	4,08	4208	●
No 10 - 32	4,826	32	0,794	20 x 7	3	4,73	4210	●
No 12 - 28	5,486	28	0,907	20 x 7	4	5,38	4212	●
1/4 - 28	6,35	28	0,907	20 x 7	4	6,24	4227	●
5/16 - 24	7,938	24	1,058	25 x 9	5	7,82	4228	●
3/8 - 24	9,525	24	1,058	30 x 11	4	9,41	4229	●
7/16 - 20	11,112	20	1,270	30 x 11	5	10,98	4230	●
1/2 - 20	12,7	20	1,270	38 x 10	5	12,56	4231	●
9/16 - 18	14,288	18	1,411	38 x 10	5	14,14	4232	●
5/8 - 18	15,875	18	1,411	45 x 14	5	15,73	4233	●
3/4 - 16	19,05	16	1,588	45 x 14	6	18,89	4235	●
7/8 - 14	22,225	14	1,814	55 x 16	5	22,05	4237	●
1 - 12	25,4	12	2,117	55 x 16	6	25,21	4239	●
1.1/8 - 12	28,575	12	2,117	65 x 18	6	28,38	4241	○
1.1/4 - 12	31,75	12	2,117	65 x 18	6	31,55	4243	○
1.3/8 - 12	34,925	12	2,117	65 x 18	7	34,73	4245	○
1.1/2 - 12	38,1	12	2,117	75 x 20	8	37,90	4247	○

5